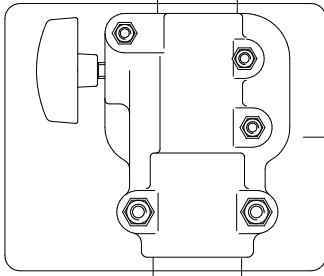
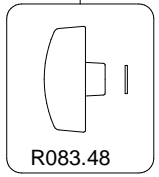
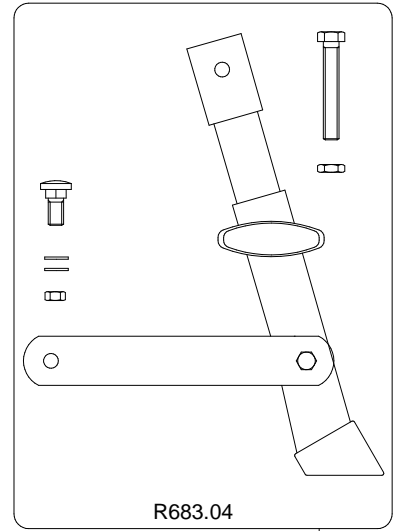
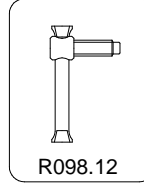
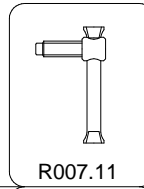
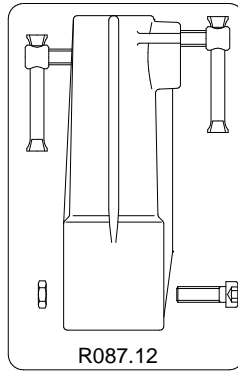
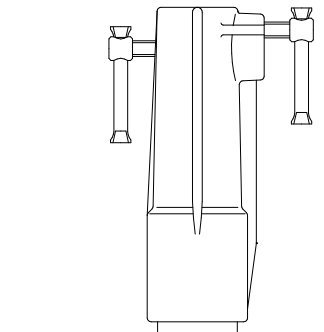
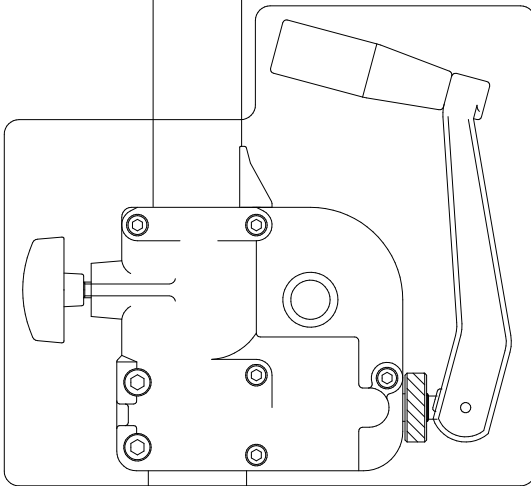


VERSIONE: 007
DEL: 2020-11-18

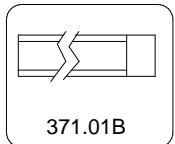
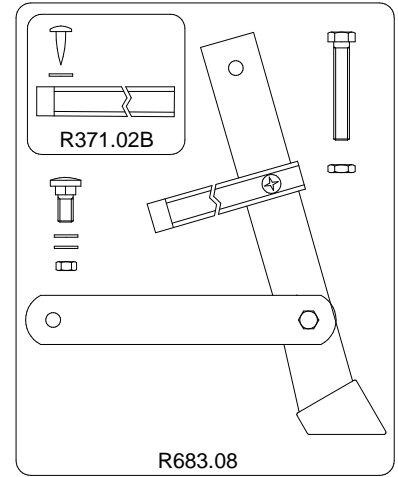
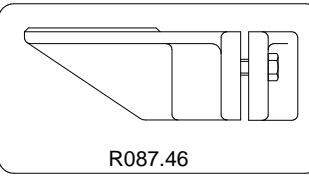


FOR 3rd SCT
SPARE LIST
SEE DRAWING:
ART.
R687.01

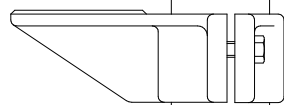
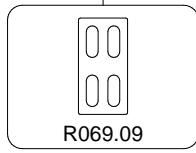
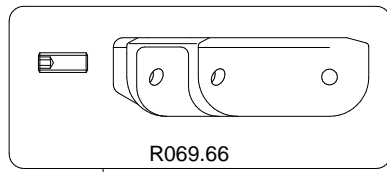


FOR GEARED COLUMN
SPARE LIST
SEE DRAWING:
ART.
R687.44

FOR CRANKCASE
SPARE LIST
SEE DRAWING:
ART.
R083.72



371.01B
CABLE GRIP



R683.01

R087,81
ALL
LABELS

