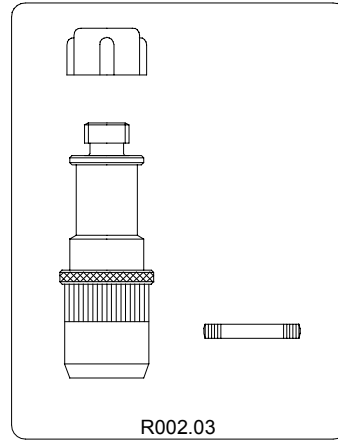
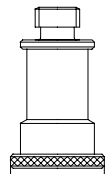


VERSIONE: 001  
DEL: 1991-11-15

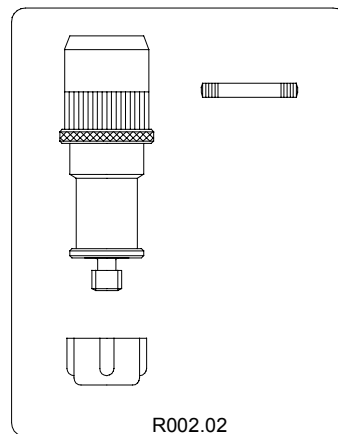
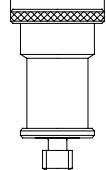
3/8"W



R002.03

173.01B

1/4"W



R002.02